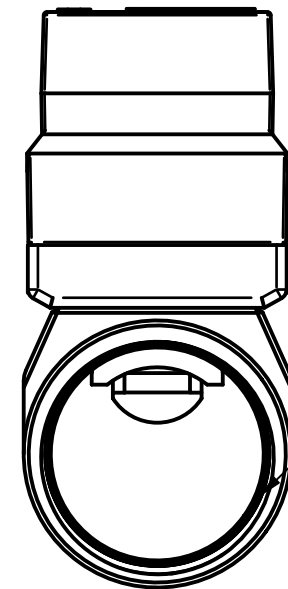
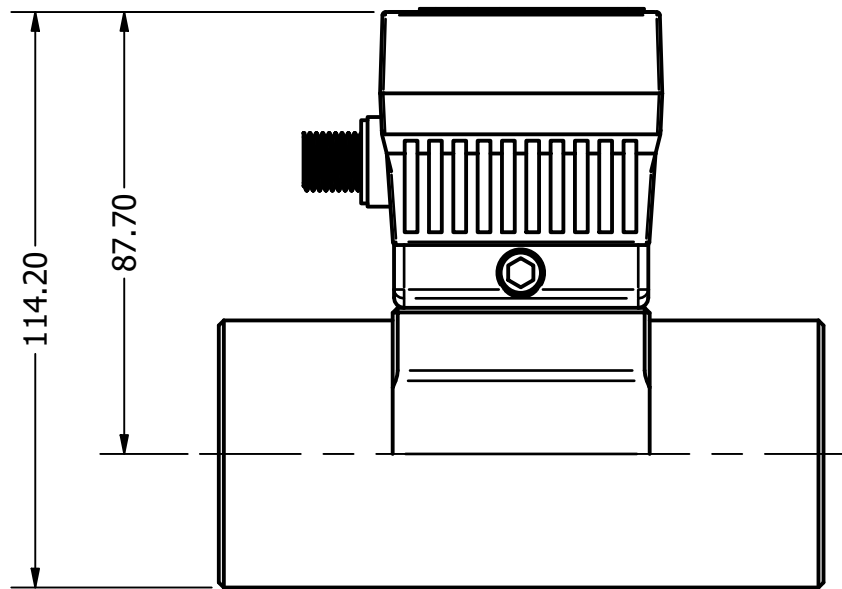
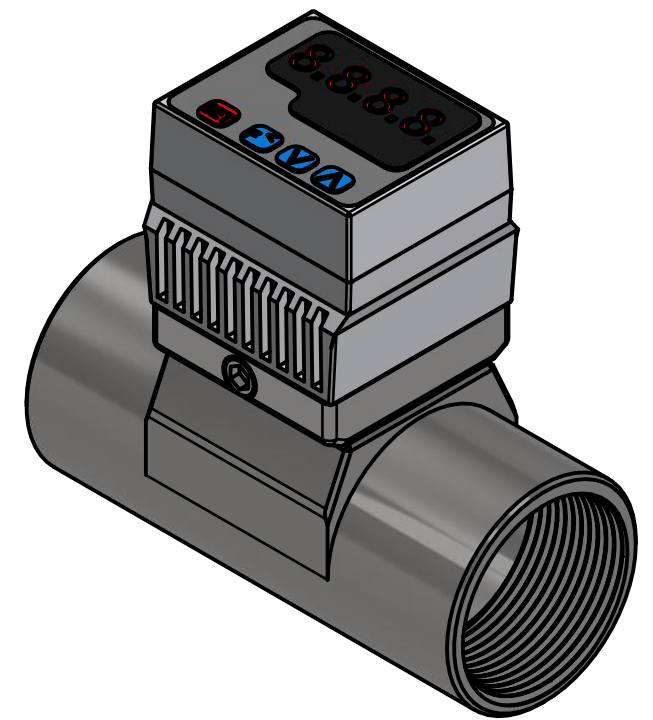


LED DISPLAY



1/2" NPT THREAD ±25MM

ICON PROCESS CONTROLS ADDRESS:- 1075 NORTH SERVICE ROAD W UNITS 1-4, OAKVILLE, ON L6M2G2 EMAIL:- SALES@ICONPROCON.COM PHONE:- 905-469-9283	DRAWN Sohia	2020-07-30	Corrosion-Free Instrumentation Equipment	
	CHECKED CSR	CSR		DESCRIPTION:- TK3-S_M_P-40-SS
	PROJECTION 	UNITS MM	SIZE B	
	COPYRIGHT © ICON PROCESS CONTROL CA. ALL RIGHTS RESERVED. NOTE:- • DRAWINGS NOT TO SCALE • DIMENSIONS SUBJECTED TO CHANGE	SCALE 1 : 1.5	SHEET 1 OF 1	