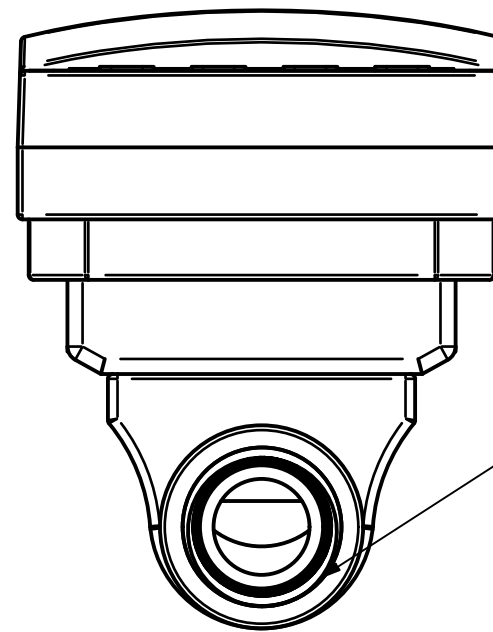
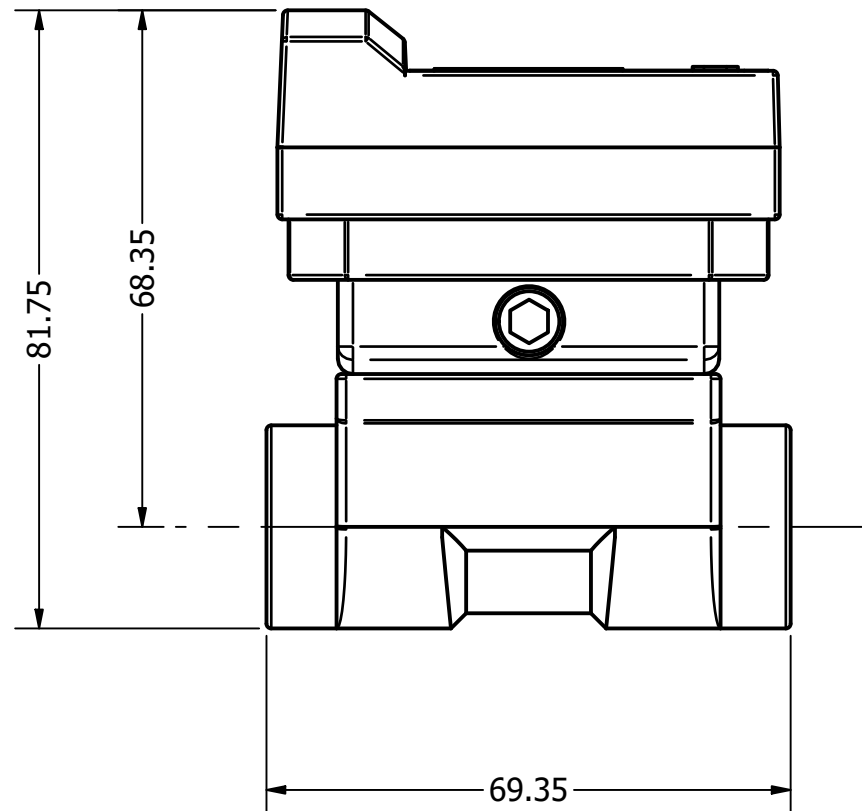
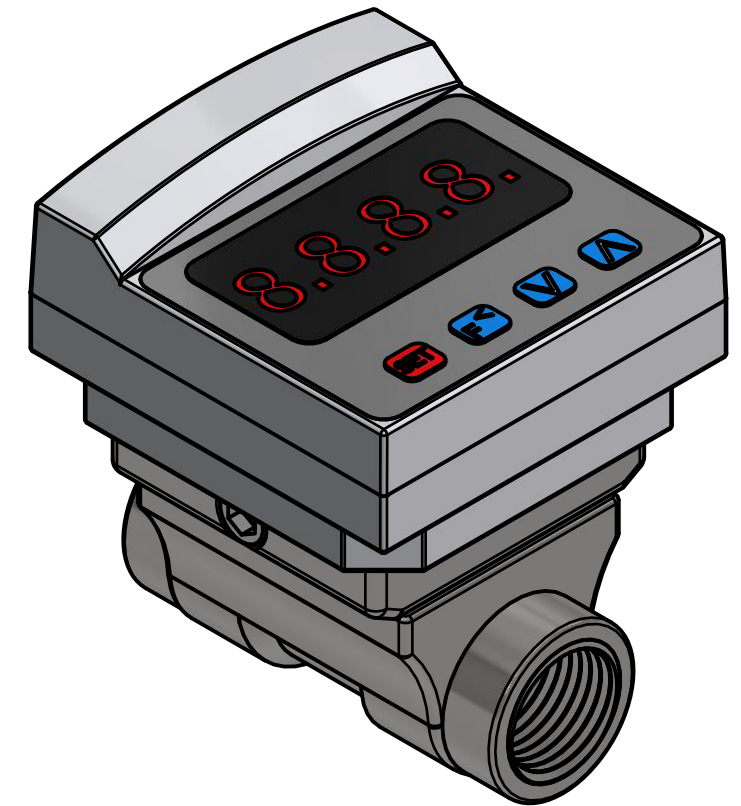


LCD DISPLAY



0.5" NPT THREAD \u226413.5MM

ICON PROCESS CONTROLS ADDRESS:- 1075 NORTH SERVICE ROAD W UNITS 1-4, OAKVILLE, ON L6M2G2 EMAIL:- SALES@ICONPROCON.COM PHONE:- 905-469-9283	DRAWN Sohia	2020-07-30	Corrosion-Free Instrumentation Equipment	
	CHECKED CSR	CSR		DESCRIPTION:- TK3B-15-SS
	PROJECTION 	UNITS MM	SIZE B	PART NO:- TK3B-15-SS
	NOTE:- • DRAWINGS NOT TO SCALE • DIMENSIONS SUBJECT TO CHANGE	SCALE 1 : 1	SHEET 1 OF 1	