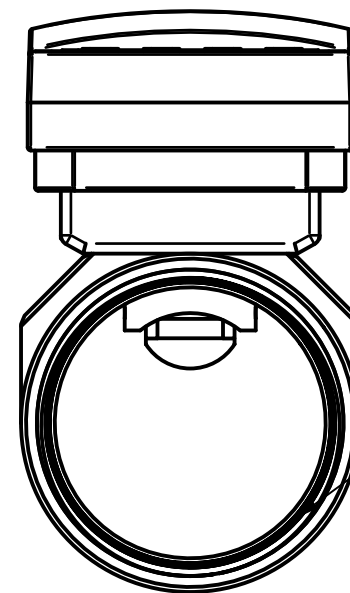
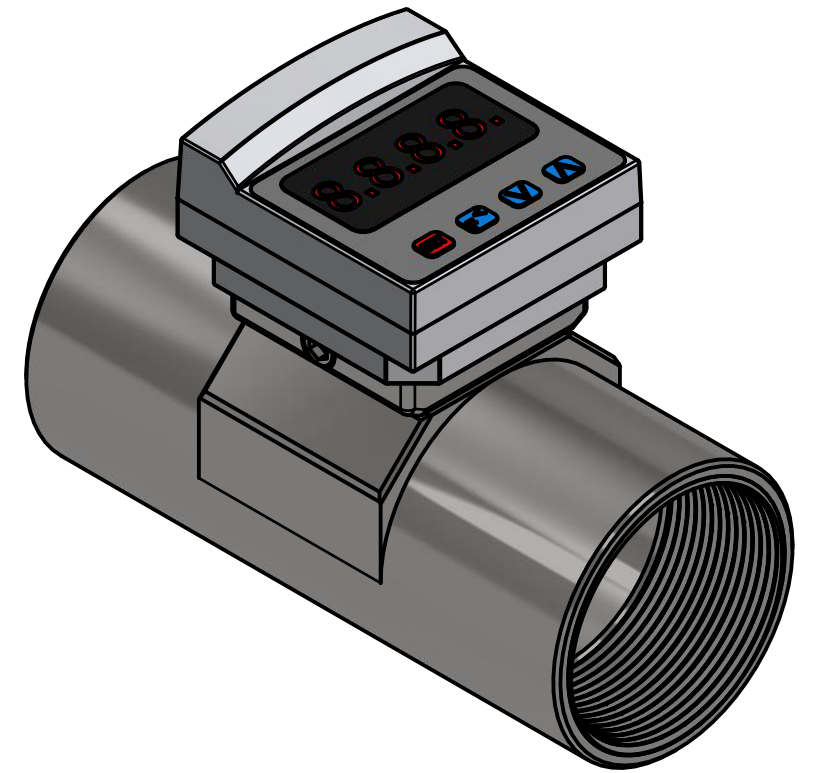
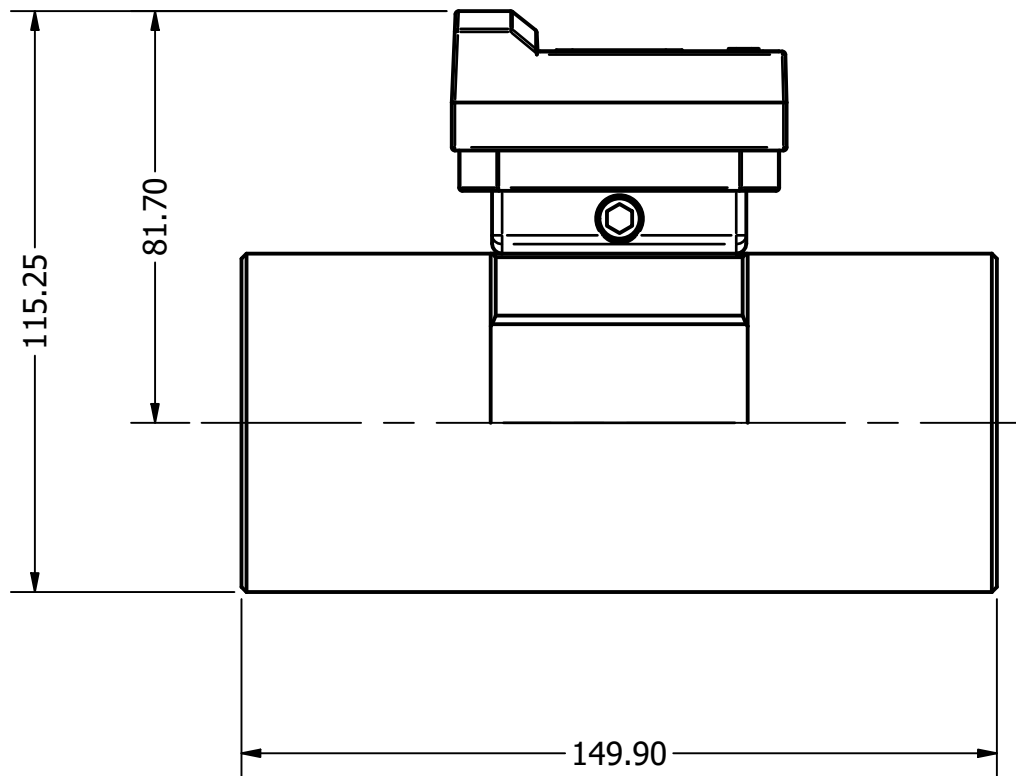




LCD DISPLAY



2" NPT THREAD ∇ 30MM

ICON PROCESS CONTROLS ADDRESS:- 1075 NORTH SERVICE ROAD W UNITS 1-4, OAKVILLE, ON L6M2G2 EMAIL:- SALES@ICONPROCON.COM PHONE:- 905-469-9283	DRAWN Sohia	2020-07-30	 Corrosion-Free Instrumentation Equipment
	CHECKED CSR	DESCRIPTION:-	
	PROJECTION 	UNITS MM	TK3B-50-SS
	COPYRIGHT © ICON PROCESS CONTROL CA. ALL RIGHTS RESERVED. NOTE:- • DRAWINGS NOT TO SCALE • DIMENSIONS SUBJECT TO CHANGE	SIZE B	PART NO:- TK3B-50-SS
		SHEET 1 OF 1	