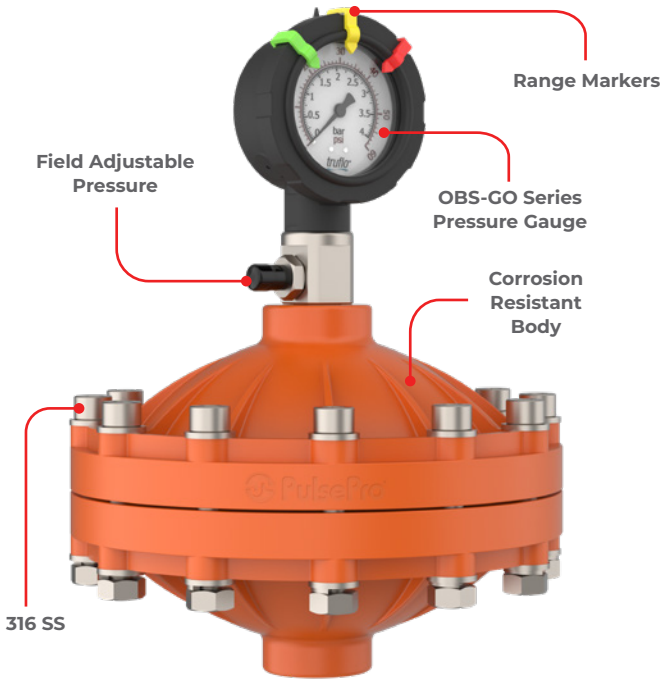


# Truflo® — PulsePro® PF Plastic Pulsation Dampener

- ✓ Up to 95%+ Reduction in Pressure Spikes
- ✓ Corrosion Resistant Bodies – GFPP | PVDF
- ✓ Reduces Vibrations to Protect Instruments
- ✓ Perfectly Paired with Diaphragm Pumps



- ✓ Easy to Install
- ✓ Lightweight Design | Small Footprint
- ✓ PTFE Teflon® Diaphragm
- ✓ Suitable for Viscous Liquids
- ✓ Reduces Damaging Effects of Water Hammer
- ✓ Provides Constant Output Required for Flow Meters and Pressure Gauges



## Equipment protection that can handle the pressure

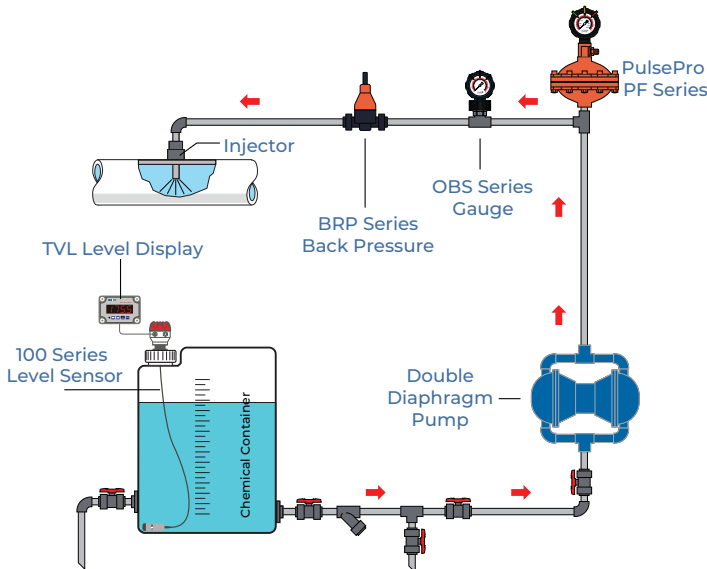
The PulsePro® PF Series pulsation dampeners are designed to provide protection for process instrumentation, eliminate vibration and provide smooth continuous flow.

Truflo PulsePro® PF Pulsation Dampeners are chargeable and can be adjusted to best suit the process requirements. The PV series can eliminate up to 95% of the pulse caused by positive displacement pumps.

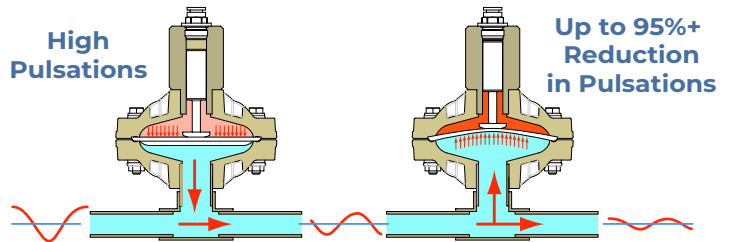
The PulsePro® PF Series pulsation dampeners consist of a flexible PTFE Diaphragm and an upper and lower chamber. The upper chamber is pressurized with air or nitrogen.

The PulsePro® PF Series operate on the principle that the volume of air in the upper chamber is inversely proportional to the kinetic pressure of the fluid being pumped.

## Typical System Schematic



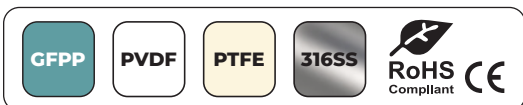
## Pulse | Surge Compressor

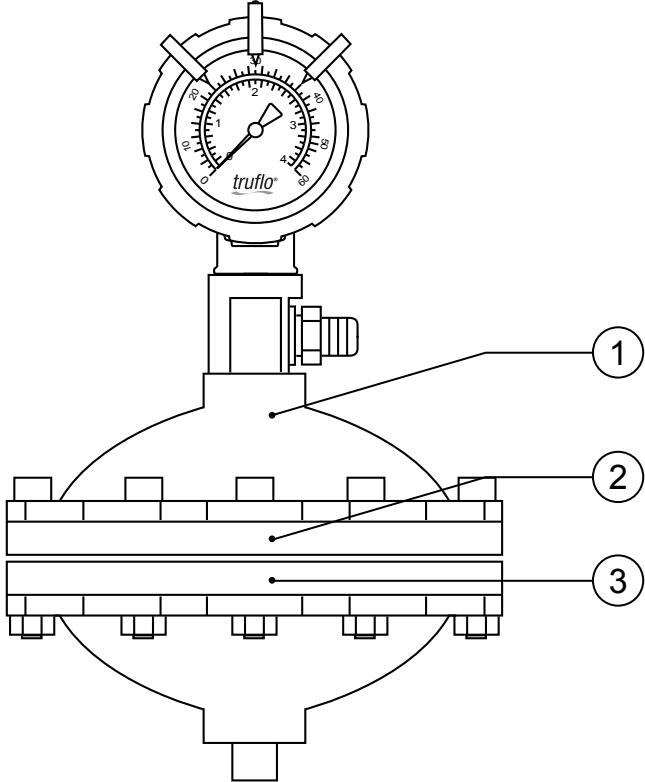


## Model Selection

PPPF - 075 - P

| Pipe Size | Material  |
|-----------|-----------|
| 050: ½"   | P: GFPP   |
| 100: 1"   | F: PVDF   |
| 150: 1½"  | S: 316 SS |
| 075: ¾"   |           |
| 125: 1¼"  |           |





### Parts

| No. | Part          | Pcs. | Material  |
|-----|---------------|------|-----------|
| 1   | Body          | 1    | PP   PVDF |
| 2   | Upper Chamber | 1    | PP   PVDF |
| 3   | Diaphragm     | 1    | FPM       |



OBS-GO Series Pressure Gauge (Single Sided)



OBS-GO Series Pressure Gauge (Double Sided)

### Dimensions

| Part No. | Size         | G    | H     | D   | MPa |
|----------|--------------|------|-------|-----|-----|
| PPPF-050 | ½" (21 cu)   | 0.35 | 235   | 142 | 1.6 |
| PPPF-075 | ¾" (36 cu)   | 0.6  | 250   | 174 | 1.6 |
| PPPF-100 | 1" (61 cu)   | 1.0  | 13100 | 210 | 1.6 |
| PPPF-125 | 1¼" (122 cu) | 2.0  | 330   | 280 | 1.6 |
| PPPF-150 | 1½" (488 cu) | 4.0  | 370   | 360 | 1.6 |

### Maximum Pressure

| Size: ½" - 1¼"   316 SS Maximum Pressure (Psi) |       |       |       |
|--|-------|-------|-------|
| 20°C   | 40°C  | 60°C  | 80°C  |
| 68°F   | 104°F | 140°F | 176°F |
| 235  | 235   | 235   | 235   |

