

# C300 Series Controller

## Conductivity, TDS, Resistivity, Salinity



- ✓ Large LCD display
- ✓ Intelligent menu operation
- ✓ SimpliCal® automatic calibration
- ✓ Manual + automatic temperature compensation
- ✓ Two (2) relay control switches
- ✓ 4-20mA & RS485 multiple output modes
- ✓ Multi-parameter display — simultaneously shows conductivity and temperature
- ✓ Password protection

### High Performance Industrial Controller

The ProCon® C300 series is an extremely robust industrial conductivity controller.

The modular design is both easy to install and operate providing first measurement values in under one minute.

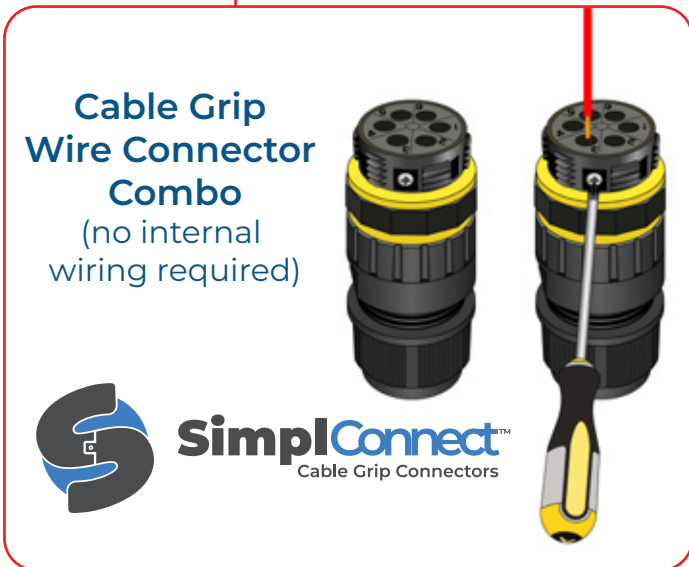
The C300 is packed with all the extra features included, no need to pay extra for relays, 4-20mA or RS485 outputs.

The SimpliCal® feature makes calibrating your sensor easier and quicker than ever before. The cost-saving quick and simple setup is done through our user-friendly step by step on-screen menu.

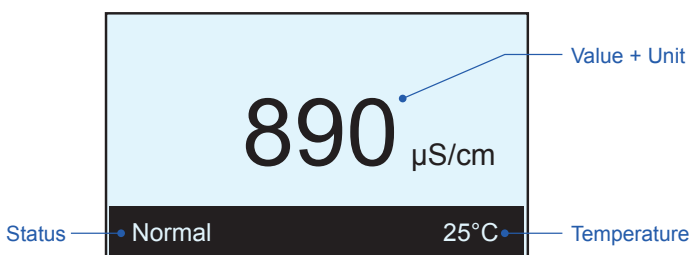
Active display of red alarm LED provides notification of out-of-bounds sensor readings and indication for sensor cleaning, recalibration or replacement.

### Enclosure

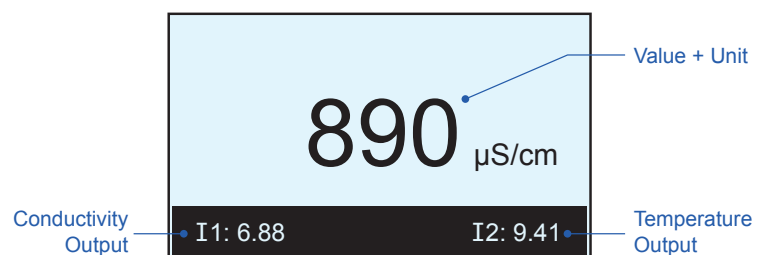
The C300 is packaged in a rugged polycarbonate enclosure making it ideally suited for heavy-duty applications. A mounting kit is included for surface and panel mounting. Pipe mounting kits are available.



Main Display



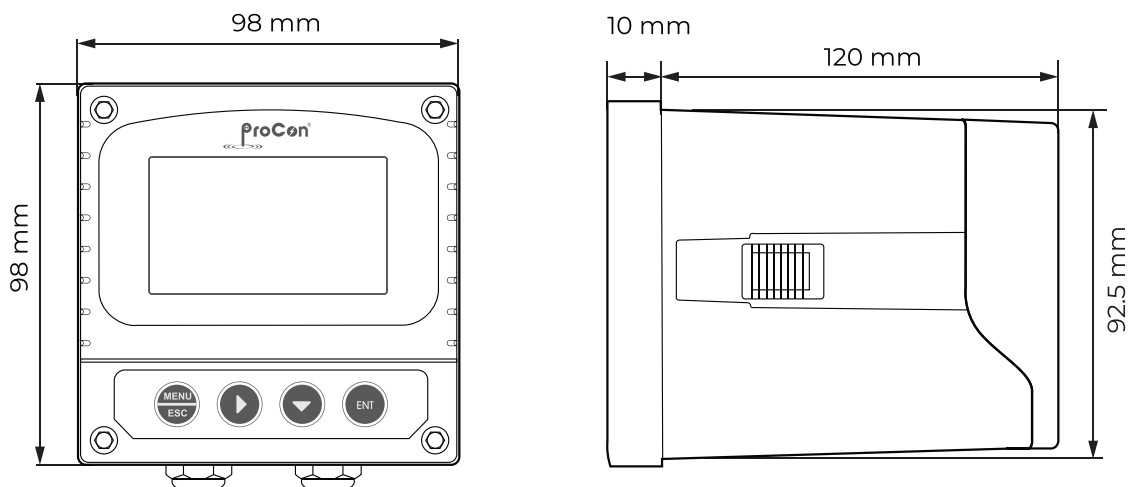
Conductivity Mode



### Technical Specifications

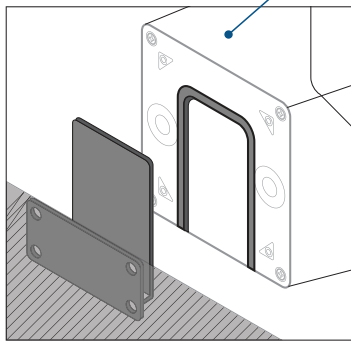
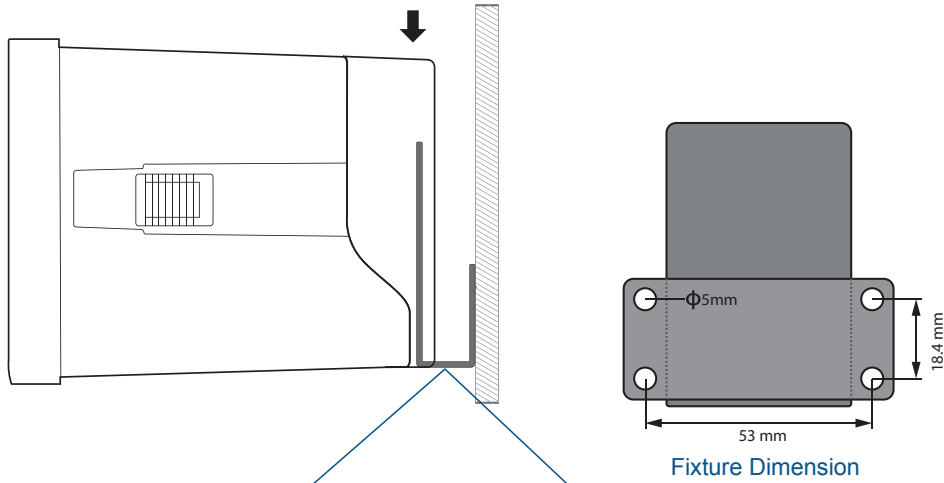
Measuring Range	0 – 500 $\mu$ S/cm
Resolution	0.1 $\mu$ S/cm   0.01mS/cm
Intrinsic Error	$\pm$ 0.5% F.S
Resistivity	0 – 18.25M $\Omega$ /cm
Resolution	0.01K $\Omega$ /cm   0.01M $\Omega$ /cm
TDS	0 – 250g/L
Resolution	0.01mg/L   0.01g/L
Salinity	0 – 700ppt
Resolution	0.01ppm   0.01ppt
Working Temperature	32 – 302°F   0 – 150°C
Temperature Compensation	Automatic or Manual
Outputs	Two (2) 4–20mA   20–4mA   0–20mA
Communication	RS485 MODBUS RTU
Relay Control Contact	5A 240VAC   5A – 28VDC
Power Supply	9 – 36VDC (std)   85 – 265VAC   Power Consumption 3W
Environmental Temperature	14 – 140°F   -10 – 60°C
Relative Humidity	$\leq$ 90%
Enclosure Rating	IP65
Weight	0.5kg
Dimensions	98 × 98 × 130mm
Installation Opening Size	93 X 93mm
Installation methods	Panel   Pipe   Wall

### Dimensions

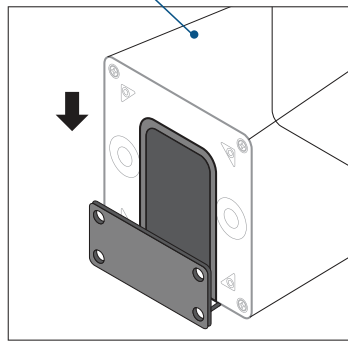


## Instrument Installation

### Wall Mounting

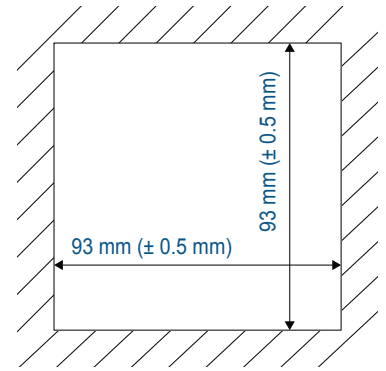


Install bracket on the wall first

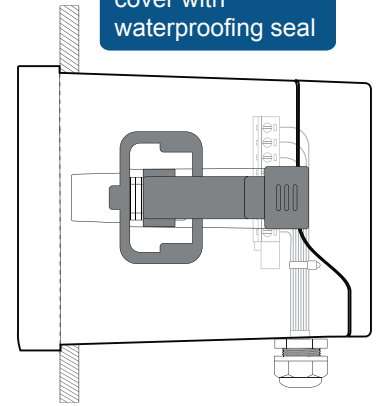


Insert into the fixture along the chute

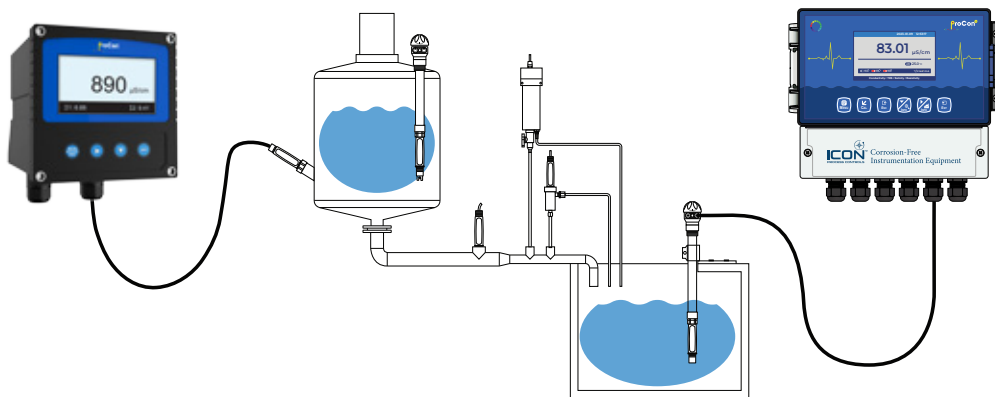
### Control Panel Installation



Installation of back cover with waterproofing seal

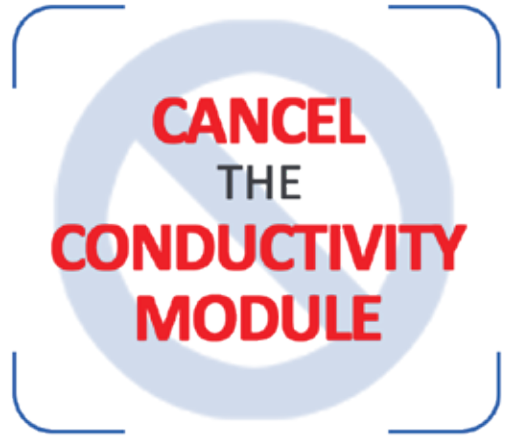
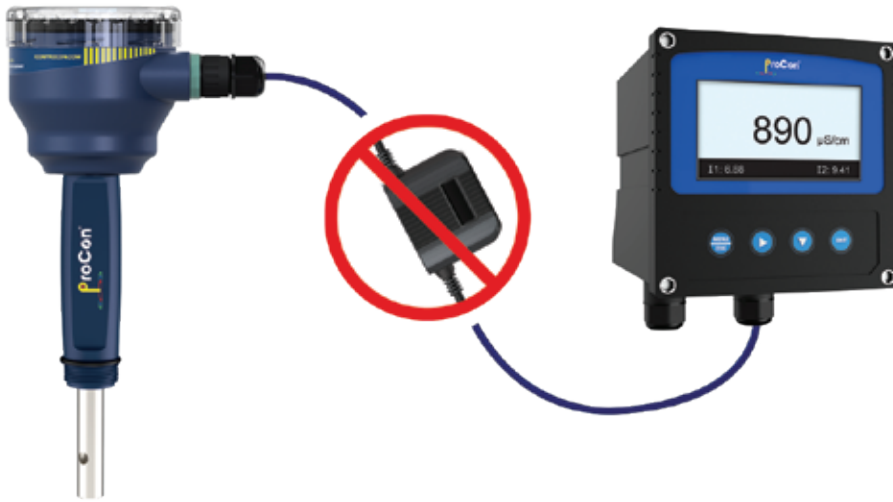


## Typical Application



# C300 Series Controller

## Conductivity, TDS, Resistivity, Salinity



### Model Selection

C300 - **4** - **C** - **Y** - **C** - **0** (Single Display)

Power	Output	Power Cord	Sensor Type
<b>4:</b> 24VDC (std) <b>2:</b> 120VAC	<b>C:</b> 4-20mA + 1 Relay <b>D:</b> 4-20mA + 2 Relays	<b>Y:</b> Yes <b>N:</b> No	<b>C:</b> Conductivity