

# D400 Series pH/ORP Digital Analyzer Controller



- ✓ Large LCD display
- ✓ Intelligent menu operation
- ✓ Multiple automatic calibration
- ✓ Manual + automatic temperature compensation
- ✓ Two (2) relay control switches
- ✓ 4-20mA & RS485 multiple output modes
- ✓ Multi-parameter display — simultaneously shows pH, ORP and temperature
- ✓ Password protection

## High Performance Industrial Controller

The ProCon® D400 series is an extremely robust industrial pH/ORP controller.

The modular design is both easy to install and operate providing first measurement values in under one minute.

The D400 is packed with all the extra features included, no need to pay extra for relay, 4-20mA or RS485 outputs.

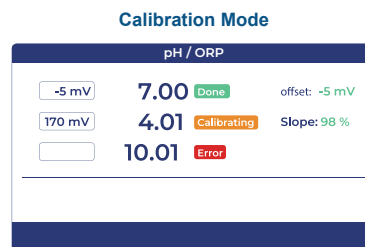
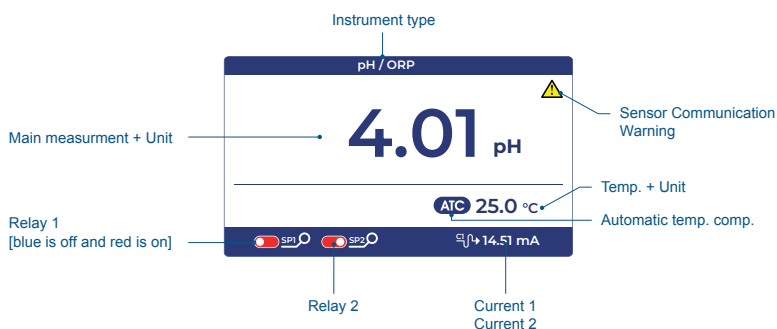
The SimpliCal® feature makes calibrating your sensor easier and quicker than ever before.

The cost-saving quick and easy setup is done through our user-friendly step by step on-screen menu.

Active display of red alarm LED provides notification of out-of-bounds sensor readings and indication for sensor cleaning/recalibration or replacement.

## Enclosure

The D400 is packaged in a rugged polycarbonate enclosure making it ideally suited for heavy-duty applications. A mounting kit is included for surface and panel mounting. Pipe mounting kits are available.



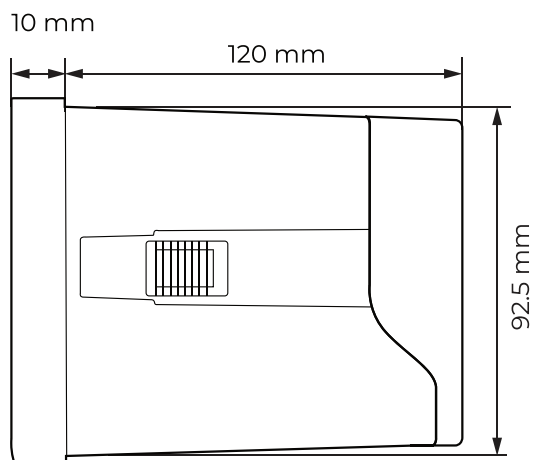
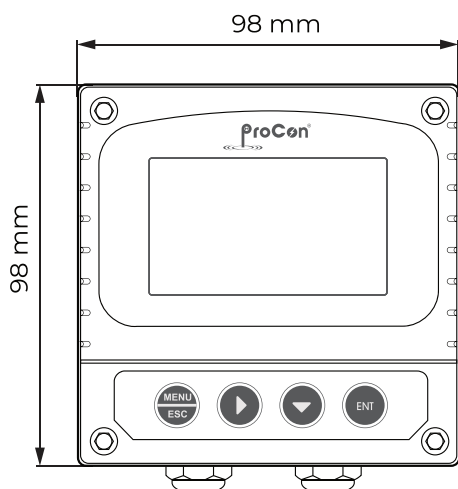
# D400 Series pH/ORP Digital Analyzer Controller



## Technical Specifications

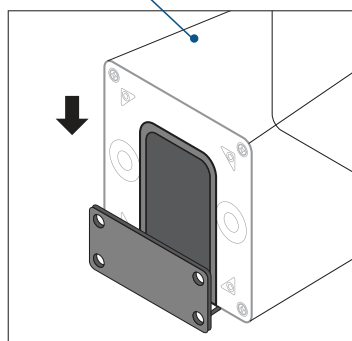
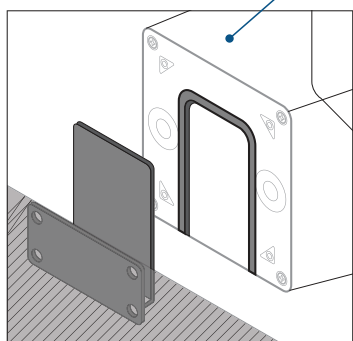
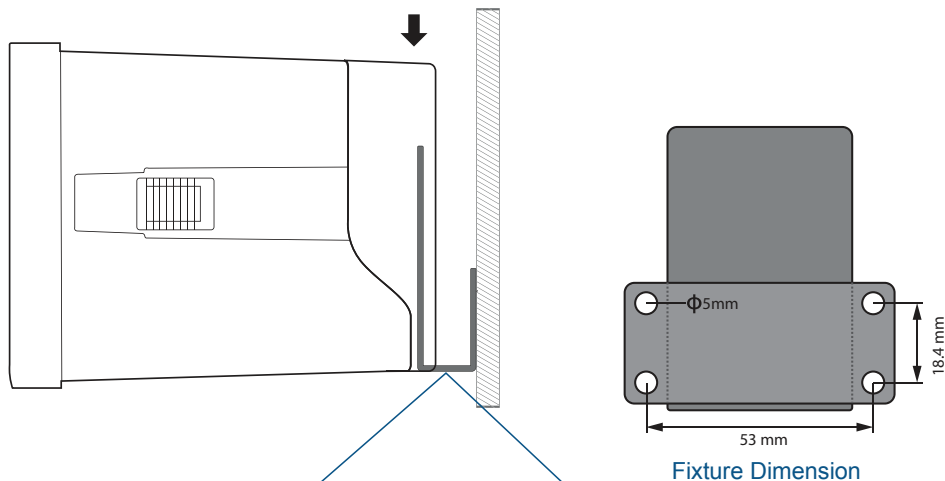
Measuring Range	pH: -2 – 16pH   ORP: -2000 – +2000mV
Unit	pH   mV
Resolution	pH: 0.001pH   ORP: 1mV
Basic Error	pH: 0.001pH   ORP: 1mV
Temperature Range	14 – 302°F   -10 – 150°C (Sensor Selection Dependant)
Temperature Resolution	0.18°F   0.1°C
Temperature Accuracy	±0.54°F   ±0.3°C
Temperature Compensation	Manual or Automatic
Stability	pH: 0.01pH/24h   ORP: 1mV/24h
Outputs	Two (2) 4–20mA   20–4mA   0–20mA
Communication	RS485 MODBUS RTU
Relay Control Contact	5A 240VAC   5A – 28VDC
Power Supply	9 – 36VDC (std)   85 – 265VAC   Power Consumption 3W
Working Temperature	14 – 140°F   -10 – 60°C
Relative Humidity	≤ 90%
Enclosure Rating	IP65
Weight	0.5kg
Dimensions	98 × 98 × 130mm
Installation Opening Size	93 X 93mm
Installation methods	Panel   Pipe   Wall

## Dimensions

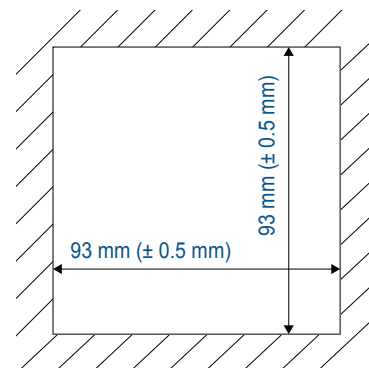


## Instrument Installation

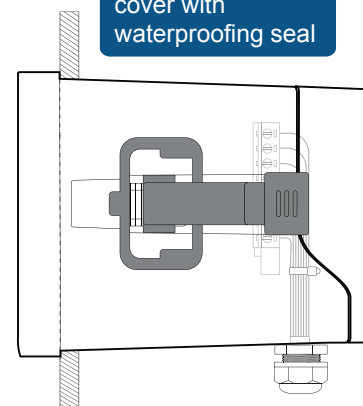
### Wall Mounting



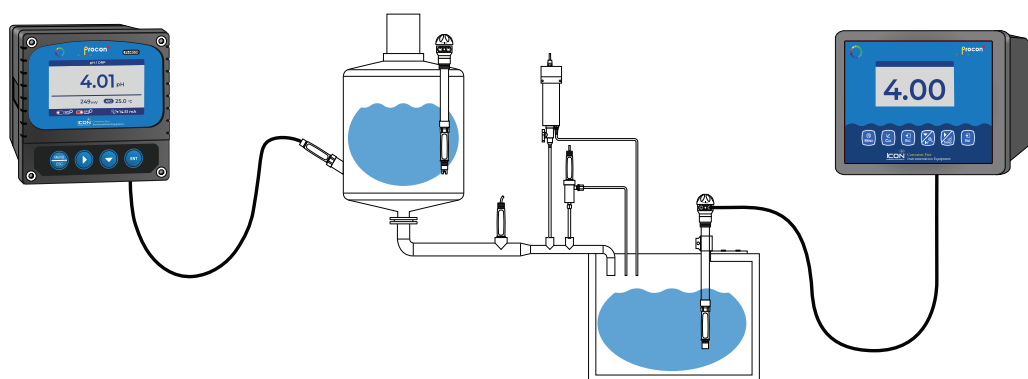
### Control Panel Installation



Installation of back cover with waterproofing seal



## Typical Application



# D400 Series pH/ORP Digital Analyzer Controller



## Model Selection

D400 - 4 - C - Y - P - 0 (Single Display)

Power	Output	Power Cord	Sensor Type
<b>4:</b> 24VDC (std) <b>2:</b> 120VAC	<b>C:</b> 4-20mA + 1 Relay <b>D:</b> 4-20mA + 2 Relays	<b>Y:</b> Yes <b>N:</b> No	<b>P:</b> pH/ORP